



WEC200

Ethernet Access Controller

WEC200

Ethernet Access Controller

Introduction:

WEC200 is a compact networkable access controller that can be fitted to one door access. It features the interface conversion from Wiegand to Ethernet, which allows WEC200 being able to connect to any kind of Wiegand reader, such as magnetic stripe reader, RFID reader or fingerprint reader. With the networkable access, it gives the advantages of central control, and easily viewing the event log reports.

Features:

- ☆ **2K memory capacity, maximum can store 50 users, 10 visitors and 20 time log.**
- ☆ **Provide master card for appending or deleting visitor authority from external reader directly.**
- ☆ **Feature 2 input sensors for the detection of door unlocked and exit button pressed.**
- Provide 2 relay outputs for external alarm and electric lock.
- Door left open alarm function.
- Separate control unit and reader for higher security demand
- With Ethernet connection to PC and able to work independently at off line with PC.

Specifications:

Communication	One Wiegand port One 10/100 BaseT Ethernet Port
Available Wiegand format	26, 30, 34, 35, 37, 38, 42 bits
Power consumption	140mA 12VDC
Protocols	Communicates with server on the networking using TCP or UDP protocols
Indication type	Three LEDs display status information, One built in buzzer 2 sets of input, 2 sets relay output (including N.C/ N O, Common)
Dimension	100 x 96.8 x 24.35 mm
Environment	Operating Temp: 0-55 Deg.C Storage Temp: -10 – 55 Deg C Humidity: 10-90% relative

Ordering information

WEC200-01 Access Controller for one door

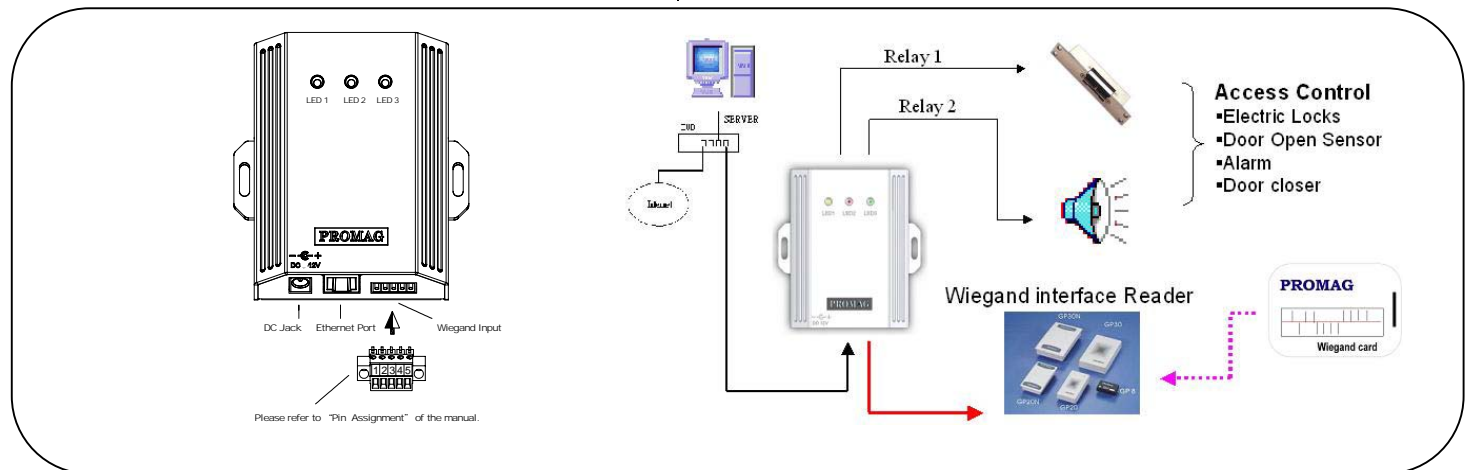
PCR943-02 125KHz RFID reader, wiegand 42 bits

GP30-10 125KHz RFID Reader, Wiegand 26 bits

MF7-20 Mifare Reader

SF600-10 Fingerprint Reader

※ **Specification is subject to change without notice.**



We welcome OEM inquiries

- ◆ Custom design manufacturing is available
- ◆ Custom device programming is available
- ◆ Call factory for other configuration

