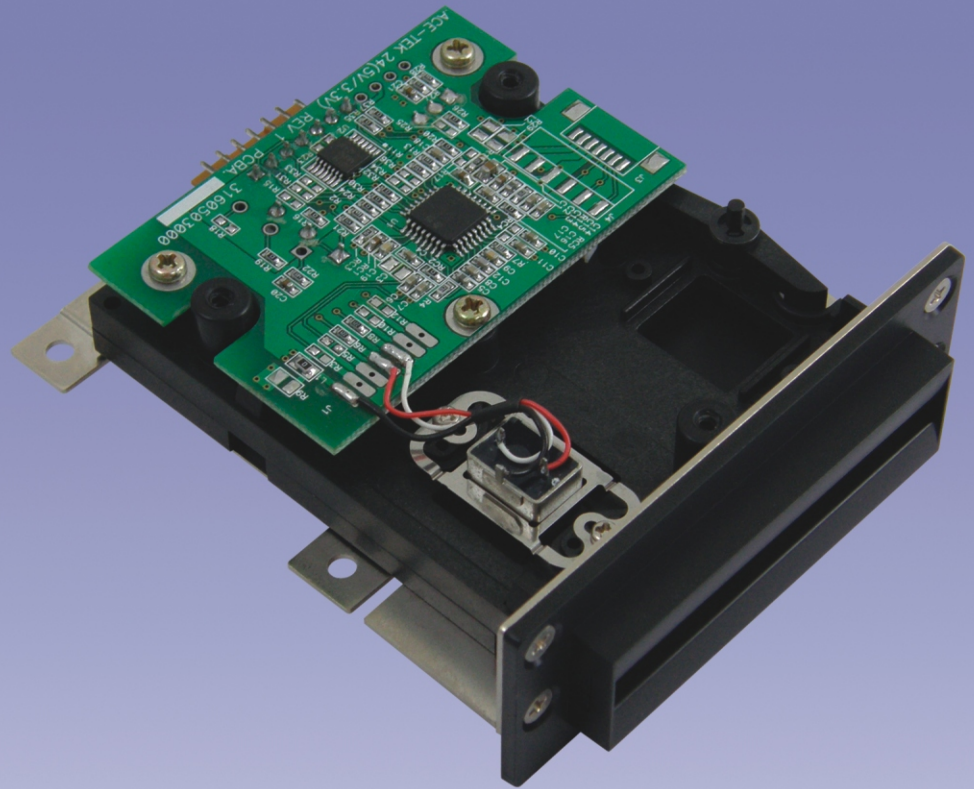


Magnetic Card Reader Manual Insertion



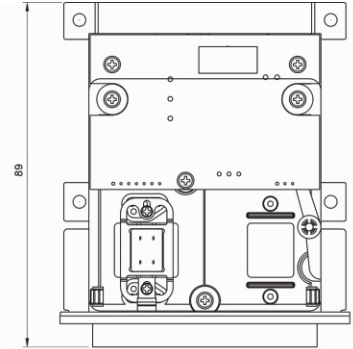
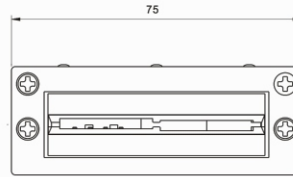
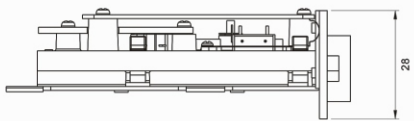
MSR240 Series

- Automatically reads ISO7811 compatible cards
- Reads high and low coercivity magnetic stripes (300~4000 Oe)
- Low power consumption.
- Designed for gaming systems, access control systems and other card reader related systems.

Magnetic Card Reader



MSR240



Specifications

Model	MSR240		
Electrical			
Power Requirement	+3.0VDC		
Interface	TTL, RS232, USB		
Mechanical			
Body Material	ABS+10%GF		
Dimensions	78L x 60W x 21H mm	89L x 75W x 28H mm(with bracket)	
Weights	Approx. 50g	Approx. 100g	
Card Handling Method	Manual insertion		
Environment			
Operation Temperature	-10°C to +50°C		
Storage Temperature	-30°C to +70°C		
Operation Humidity	15% to 90% non condensing		
Storage Humidity	10% to 90%		
Agency Approval			
	FCC Class B, CE Class B, BSMI Class B		
Performance			
Test Card Types	Standard Card	Jitter ± 15%	Amp.60%
Read Speed	4 ~ 40 ips	5 ~ 35 ips	5 ~ 35 ips
Read Capability	For single, dual or triple track of low/high coercivity (300~4000 Oe)		
Card Thickness	0.76 ± 0.08mm		
Magnetic Head Life	500K min insertion cycles		

UIC Headquarters
Uniform Industrial Corp. Taiwan
 1F, No. 1, Lane 15, Chih Chiang St.,
 Tu Cheng City, Taipei Hsien,
 Taiwan, R.O.C.
 TEL: +886-2-2268-7075
 FAX: +886-2-2269-5686
 VC ISDN: +886-2-8076-0126
 VC IP Line: 60.248.204.230
 E-Mail: info@uniform.com.tw
 URL: www.uicworld.com

UIC USA
Uniform Industrial Corp. USA
 47709 Fremont Blvd.,
 Fremont, CA 94538-6512, USA.
 TEL:+1-510-438-6799
 FAX:+1-510-438-6790
 E-Mail: info@uicusa.com
 URL: www.uicusa.com

UIC Europe
Uniform Industrial Corp.
 Suite 2.7 Discovery House,
 Gemini Crescent, Technology Park,
 Dundee, DD2 1SW, United Kingdom
 TEL: +44-1382-561162
 FAX: +44-1382-561163
 E-Mail: info@uiceurope.com
 URL: www.uicworld.com